



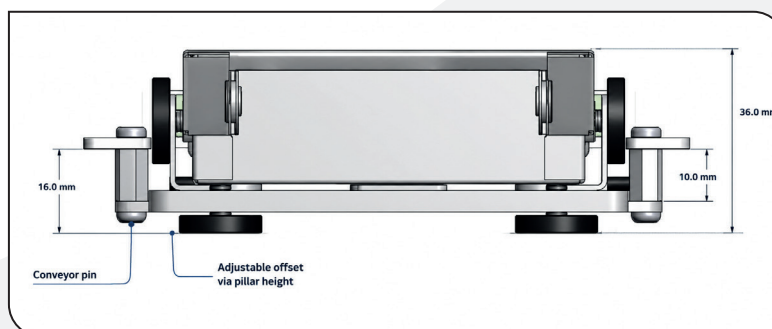
- ★ Compatible with all Solderstar reflow shields
- ★ Stainless steel construction
- ★ Tool free adjustment
- ★ Height offset adjustable
- ★ 120mm to 450mm adjustment widthwise

P/N: AC-RC-001

## Adjustable carrier for use on pin and chain conveyors

The Solderstar adjustable carrier is designed to safely transport your profiling system through reflow ovens without mesh belts. The protective heatshield is securely mounted to the carrier tray, while the adjustable side arms can be quickly set to match the conveyor width.

The side rails also feature an offset adjustment, allowing the profiling system to utilise available clearance either above or below the conveyor. No special tools are required for width adjustment, as convenient thumbscrew fastenings enable fast and easy setup directly at the reflow oven.



## For more information contact your regional Solderstar office



Solderstar Ltd

 Unit C2 - Castle Park Industrial Estate  
 Bower Street, Oldham, OL1 3LN

United Kingdom

+44 (0)1706 354846

info@solderstar.co.uk



Solderstar Ltd

 4600 140th Avenue North, Suite 180  
 Clearwater, Florida 33762-3814

United States

+1 (727) 461 2270

info@solderstar.com



Solderstar / PhoenixTM GmbH

 Löhner Str. 108  
 Löhne, D-32584

Germany

+49 5731 3002811

info@solderstar.de